

Name: \_\_\_\_\_

Sixty-seven less than three-sixths of a number equals 14. What is the number?

5,000 and 700,000 added to a number is 1,655,204. What is the number?

Twenty-one exceeds one-fifth of a number by 13. What is the number?

The sum of thirty-seven and twenty-seven is twenty-eight more than a number. What is the number?

Name: \_\_\_\_\_

Cross off the letter that does NOT belong.

A, A, C, C, A, A, C, C, A, A, C, A, C

Why does \_\_\_\_\_ not belong in the pattern?

Cross off the number that does NOT belong.

6, 24, 27, 108, 111, 395, 444, 447

Why does \_\_\_\_\_ not belong in the pattern?

Name: \_\_\_\_\_

Megan made a timeline for finishing her science project. She put the timeline on her bulletin board and checked it each day. The timeline shows that the project will be finished in 20 days. If she uses  $\frac{3}{4}$  of that time for doing research, how many days will she have left to finish the project?

The Peppermint Patty Ice Cream Parlor sold 106 peppermint parfaits the first month it was open. It sold 127 peppermint parfaits the second month and 148 the third month. If this pattern continues, how many peppermint parfaits will be sold the eighth month?

Jessica likes to run. She used a running app on her phone in July. During the month, she ran an average of 1.5 miles per day. How many miles did she run for the entire month?

Pick the family fact that is missing.

$$95 \div 19 = 5$$

$$19 \times 5 = 95$$

$$95 \div 5 = 19$$

The perimeter of a rectangle is 14 cm. The longer side is 5 cm. How long is the shorter side?

$$6 + 108 \div 9$$

Name: \_\_\_\_\_

$$3n = 6$$

$$\frac{???}{3} = 9$$

What is the missing number?

$$\frac{N}{9} = 8$$

What is the value of N?

$$\frac{N}{11} = 11$$

Write as a decimal.  
Seven and twenty-two hundredths

Write as a decimal.  
Seventeen and eight tenths

Write the decimal in words.  
0.6

Sketch 2 lines  $\overleftrightarrow{DE}$  and  $\overleftrightarrow{VW}$  that are perpendicular.

Sketch 2 lines  $\overleftrightarrow{LM}$  and  $\overleftrightarrow{TU}$  that are parallel.

Name: \_\_\_\_\_

$$9 \overline{) 477}$$

$$\begin{array}{r} 50 \\ \times 16 \\ \hline \end{array}$$

$$9 \overline{) 369}$$

$$10 - \frac{4}{5} =$$

$$\begin{array}{r} 5 \frac{4}{10} \\ - 3 \frac{5}{10} \\ \hline \end{array}$$

$$\begin{array}{r} 3 \\ - 1 \frac{3}{7} \\ \hline \end{array}$$

Sketch two parallel lines.

Use a protractor to draw a  $150^\circ$  angle.

Write the supplement of each angle.

$134^\circ$

$30^\circ$

$66^\circ$

$123^\circ$

Name: \_\_\_\_\_

$$15 \div \frac{4}{7} =$$

$$\frac{1}{2} \times \frac{1}{3} =$$

$$\frac{3}{4} \times 2 =$$

$$x - 10 = 1$$

$$\underline{\quad} + 8 = 17$$

What is the missing number?

$$x + 5 = 11$$

What is the value of x?

What is the greatest common factor of 28 and 14?

$$7 + 2 =$$

$$\begin{array}{r} 41516 \\ - \quad 85 \\ \hline \end{array}$$

$$\begin{array}{r} 7450 \\ - 6242 \\ \hline \end{array}$$

$$6 \overline{) 4.8}$$

$$\begin{array}{r} 5.28 \\ \times \quad 7 \\ \hline \end{array}$$

Change  $\frac{2}{10}$  to a decimal.

Name: \_\_\_\_\_

Multiply 3158 and 6.

$$4 \overline{) 72}$$

Find the product of 539 and 8.

Find the difference between 17.1 and 6.5.

$$\begin{array}{r} 4.7 \\ - 1.71 \\ \hline \end{array}$$

$$\begin{array}{r} 57.719 \\ + 81.392 \\ \hline \end{array}$$

$$\begin{array}{r} \frac{2}{11} \\ + \frac{1}{2} \\ \hline \end{array}$$

Find the least common denominator.

$$\frac{8}{9} \text{ and } \frac{8}{10}$$

$$11 - \frac{1}{2}$$

$$4m = 36$$

$$6y = 24$$

$$4n = 28$$

Name: \_\_\_\_\_

<p>On Wear Your Pajamas to Work Day, all 219 of the office workers in the Sinclair Building wore their pajamas. If <math>\frac{1}{3}</math> of them wore red and white pajamas, and the rest of the office workers wore other colors. How many of the office workers wore other colors?</p>	<p>Jason had to make 15 visits to the dentist last year to take care of his braces. Each visit cost \$116. How much did the visits cost in all?</p>	<p>Mr. Allen walked .50 of a mile in the Mardi Gras parade. Write that decimal as a fraction.</p>
---	---	---

<p><math>9 \times 7 =</math></p>	<p>Max invented a robotic bug. The bug can crawl five centimeters in twenty-one seconds. How long would it take the bug to crawl forty centimeters?</p>	<p>24 km = _____ m</p>
$\begin{array}{r} 321 \\ + 363 \\ \hline \end{array}$		$\begin{array}{r} 355 \\ - 339 \\ \hline \end{array}$

<p>Amy wants Ava to guess a three digit number. She tells Ava that her number has three different digits. The digits are 1, 5, and 9. Ava thinks. She then guesses the number 591. What are the chances that Ava has guessed correctly?</p>	<p>How many centimeters are in 40 millimeters?          _____ centimeters</p>
	<p>Which reference material would you consult to find the answer to this question?          What is the etymology of the word "euphemism"?</p>

Name: \_\_\_\_\_

Some vowels are missing in the word search.  
Fill in the missing vowels and circle the words.

T	M	F	□	M	□	G	□	T	P
□	I	R	V	M	□	C	K	L	I
R	E	□	□	I	□	N	J	□	Y
N	<b>D</b>	G	C	P	□	W	D	□	R
G	<b>E</b>	H	□	M	□	M	□	R	Y
P	<b>P</b>	T	N	□	C	T	□	R	C
□	<b>R</b>	L	T	H	L	□	C	K	G
□	<b>I</b>	N	A	P	□	R	M	□	T
N	<b>V</b>	A	V	□	N	□	A	C	U
T	<b>E</b>	C	H	□	M	□	C	□	L

VACANT • ENJOY • IMAGE  
PERMIT • POWDER • MOCK • TURN  
CHEMICAL • DEPRIVE • FRIGHT  
LACK • MEMORY • VINE • PAIN  
ACTOR

Can 254 be evenly divided by 3? Circle:  
254 is evenly divisible by 3  
254 is NOT evenly divisible by 3

Rewrite these words correctly.  
earthquake, beetle, avoid

\_\_\_\_\_

\_\_\_\_\_

\_\_\_\_\_

What part of speech is underlined in this sentence?

On the last day of school I was filled with joy.

\_\_\_\_\_

Write 787,774 in words.

\_\_\_\_\_

$$\begin{array}{r} 63 \\ - 11 \\ \hline \end{array}$$

Max invented a robotic bug. The bug can crawl five centimeters in twenty-one seconds. How long would it take the bug to crawl forty-four centimeters?

$$\begin{array}{r} 36 \\ + 25 \\ \hline \end{array}$$

1 cm = 10 mm

7 cm = \_\_\_\_\_ mm





Name: \_\_\_\_\_

Norway, Italy, the United States, and France were awarded gold (7, 3, 8, and 2), silver (4, 2, 5, and 9), and bronze (8, 3, 4, and 9) medals. Figure out how many of each type of medals were won by each of the four countries.

For example, country x may have won 7 gold, 5 silver, and 3 bronze medals. However, if country x won 7 gold medals, that means country z did not win 7 gold medals. Instead, country z may have won 3 gold medals.

Use the clues to figure out the number of medals awarded to each country.

1. One country won seven gold medals. The same country also won two silver medals.
2. the United States won fewer bronze medals than silver medals. the United States also won fewer bronze medals than gold medals.
3. the United States won a total of seventeen medals.
4. France won the most bronze medals.
5. Italy won the fewest bronze medals.
6. Norway won either two or three gold medals.
7. the United States won either four or eight bronze medals.
8. the United States won either four or five silver medals.
9. One country won an even number of bronze medals and four silver medals.
10. Norway won a total of fourteen medals.
11. France won three silver medals in speed skating as well as two silver medals in cross-country skiing.

Norway won \_\_\_\_\_ gold medal(s), \_\_\_\_\_ silver medal(s), and \_\_\_\_\_ bronze medal(s).

Italy won \_\_\_\_\_ gold medal(s), \_\_\_\_\_ silver medal(s), and \_\_\_\_\_ bronze medal(s).

the United States won \_\_\_\_\_ gold medal(s), \_\_\_\_\_ silver medal(s), and \_\_\_\_\_ bronze medal(s).

France won \_\_\_\_\_ gold medal(s), \_\_\_\_\_ silver medal(s), and \_\_\_\_\_ bronze medal(s).

Name: \_\_\_\_\_



Each box in the grid has an area of 1 square inch. Draw two different triangles that have an area of 15 square inches.

Holly and Amy want to play Move Fast, their favorite board game. All you do is spin twice, take the sum of your two spins, and move. But if you get the same sum two times in a row, you go to the spot on the board labeled Thunderstorm. The spinner has the numbers 4, 8, and 11 on it. How many different sums are possible?

Holly got a sum of 19 on her first move. What is the chance that she will go to Thunderstorm on her second move?

Find two consecutive numbers that have a sum of 167.

Find three consecutive numbers that have a sum of 132.

19	21	23	25
27	29	31	33
35	37	39	41
43	45	47	49

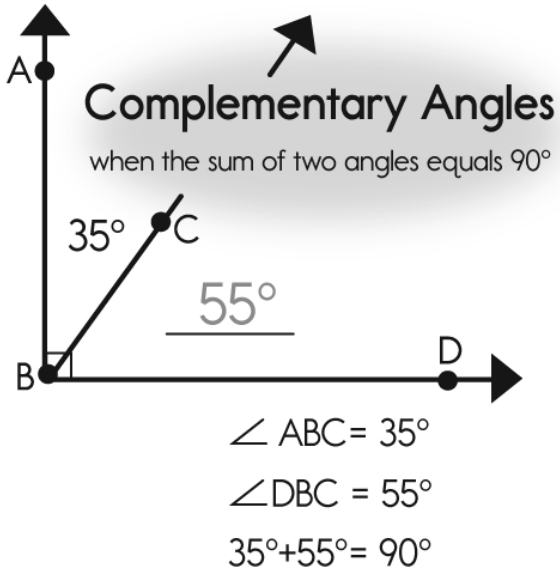
A pattern is represented in the boxes. The number 41 is in row 3, column 4.

a. What number is in row 1, column 2?

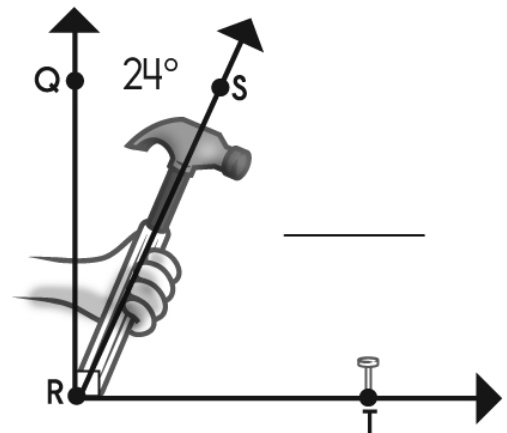
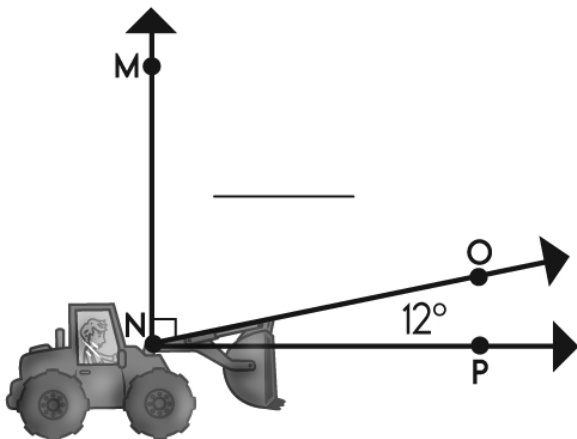
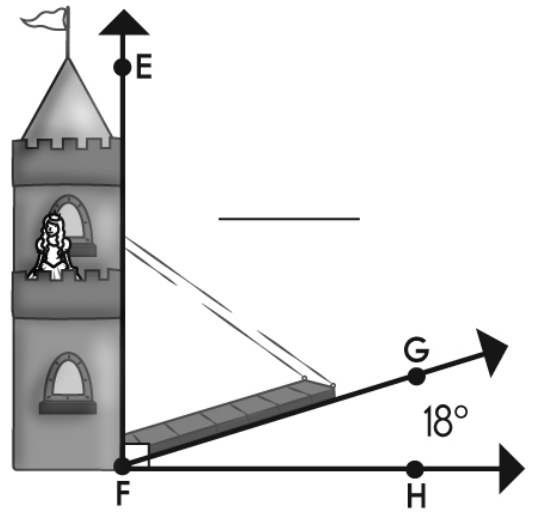
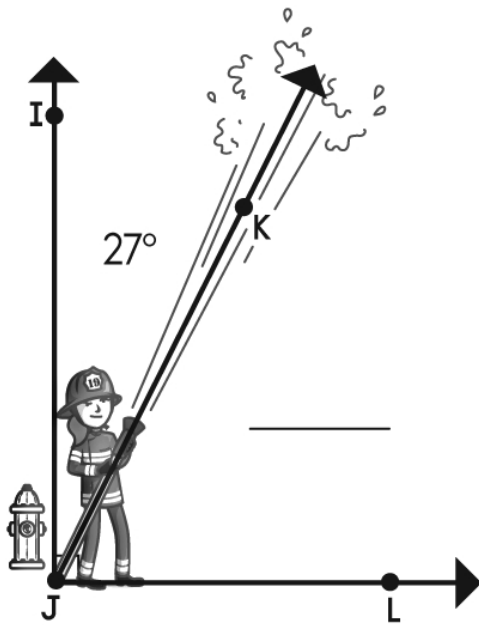
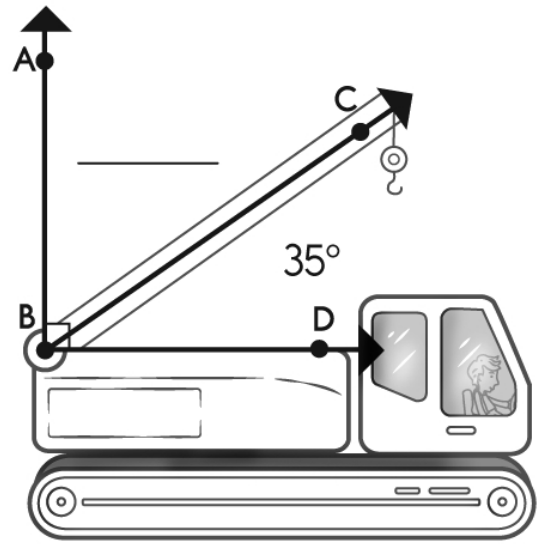
b. If the pattern continues, what number would be in row 5, column 3?

c. If the pattern continues, what number would be in row 7, column 1?

Name: \_\_\_\_\_



Find the complement of each angle.



Name: \_\_\_\_\_

$$27 \overline{) 756}$$

$$55 \overline{) 550}$$

$$5 \overline{) 360}$$

$$18 \overline{) 144}$$

$$12 \overline{) 72}$$

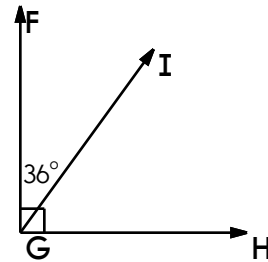
$$36 \overline{) 1296}$$

$$7 \overline{) 441}$$

$$22 \overline{) 1584}$$



What kind of angle is this?



What is the measure of  $\angle IGH$ ?

Use a scrap piece of paper.

Jenna bought 12 green bows to put in her horse's mane for the parade. Each bow cost \$1.95. How much did Jenna spend on the bows?

Each of the circus elephants ate 34 pounds of peanuts a day. How many pounds of peanuts would the 9 elephants eat in 5 days?

Posters for Children's Book Week come in packages of 29. If each package costs \$8.21, how much will be spent on posters?

Name: \_\_\_\_\_

**ACROSS**

1 7353 - 7

a. answer: 7 3 4 6

Write the numeral eight thousand, eight hundred ninety-five.

b. answer: 8 8 9 5

Full 1 across answer:

<u>7</u>	<u>3</u>	<u>4</u>	<u>6</u>	<u>8</u>	<u>8</u>	<u>9</u>	<u>5</u>
a	a	a	a	b	b	b	b

2 Double 9, then subtract 6.

a. answer:        

   , 13, 21, 29

b. answer:    

Full 2 across answer:

<u>   </u>	<u>   </u>	<u>   </u>
a	a	b

4 What number is halfway between 78 and 84?

6 2773 - 4

7 The tens digit from 11-across is the ones digit. The thousands digit from 2-down is the hundreds digit. The hundred thousands digit from 1-across is the tens digit.

8 The ones digit from 6-across is the ones digit. The ones digit from 2-across is the tens digit. The thousands digit from 4-down is the hundreds digit.

10 Tens digit = ones digit of 1-down. Ones digit = tens digit of 4-across.

1								
		2	3			4	5	
6						7		
		8		9		10		
		11						

11 Halve 1524.

**DOWN**

1 7120 - 8

2 Which number, rounded to the nearest thousand, is 2,000? 2,863 or 1,687

3 Write the numeral two thousand, nine hundred fifty-six.

4 Which number, rounded to the nearest thousand, is 8,000? 8,128 or 7,094

5 Double 74.

9 Put 10-across's tens digit in the ones place. Put 3-down's hundreds digit in the tens place.

Name: \_\_\_\_\_

Find the missing numbers.

If

$1, 1 = 2$

$2, 2 = 4$

$3, 3 = 6$

$4, 4 = 8$

Then

$5, 5 = ?$

If

$7, 7 = 49$

$8, 8 = 64$

$9, 9 = 81$

$10, 10 = 100$

Then

$11, 11 = ?$

Complete each pattern. Write what the rule is. Hint: Look at movement of digits!

12342, 34212, 21234, 23421, 42123, \_\_\_\_\_, \_\_\_\_\_,

21234, 23421, 42123, 12342, 34212, 21234, 23421

725177, 517772, 777251, 725177, 517772, 777251, \_\_\_\_\_,

\_\_\_\_\_, 777251, 725177, \_\_\_\_\_, 777251, 725177, 517772

Name \_\_\_\_\_



Date \_\_\_\_\_

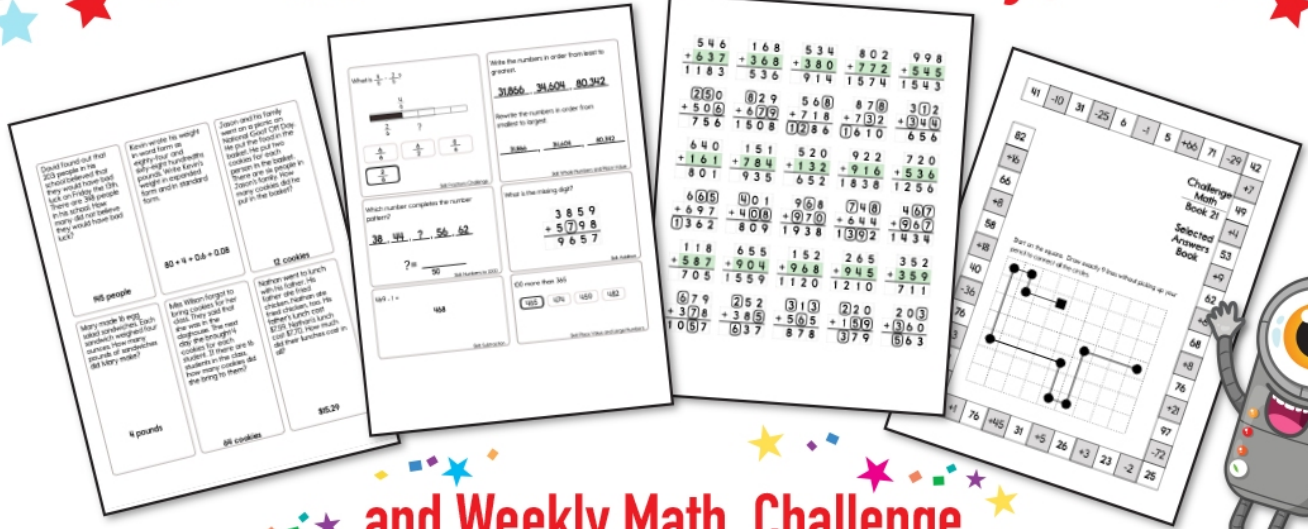
Start on the **B** circle. Do not pick up your pencil. Draw a line going left, right, up, or down. **Every line must end on a circle. No stopping on an empty box.** Try to collect all the circles and finish your last line on the **E** circle. You can go through a circle more than once.

●						●
●		○ B		●		●
●				○ E		
	●		●			●
	●					●

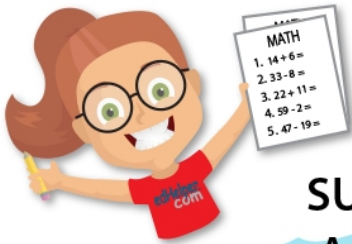
Didn't get them all? That's ok. This was hard.

I missed \_\_\_\_\_ circle(s).

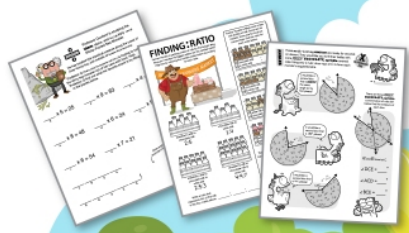
# Subscribe to Get Answer Keys



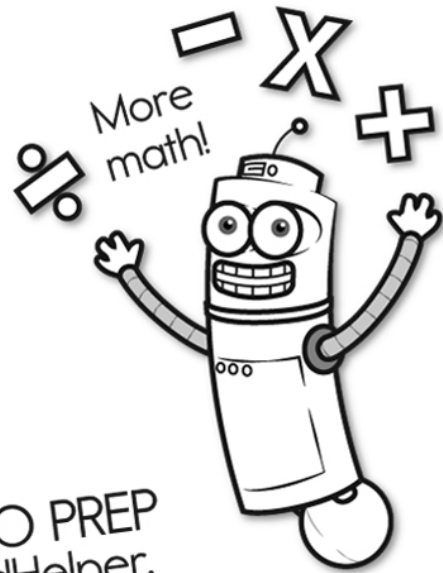
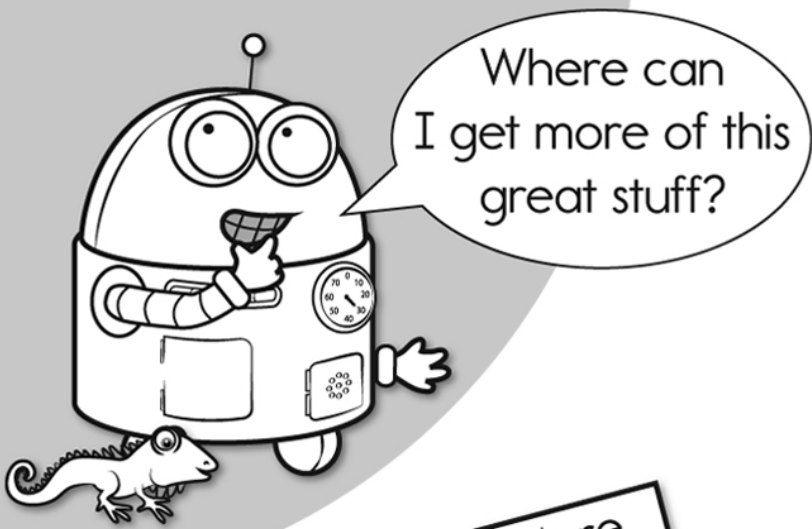
and Weekly Math, Challenge  
Workbooks, Posters, Daily Reading,  
and so much more!



**SUBSCRIBE TO RECEIVE EVEN MORE**  
Answer Keys • Effective Activities • Access  
to as many printables as you need!



**edHelper.com**



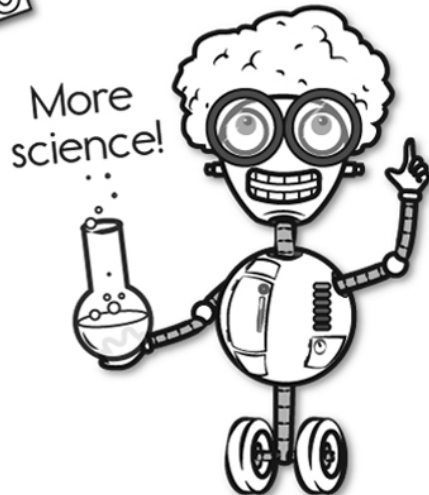
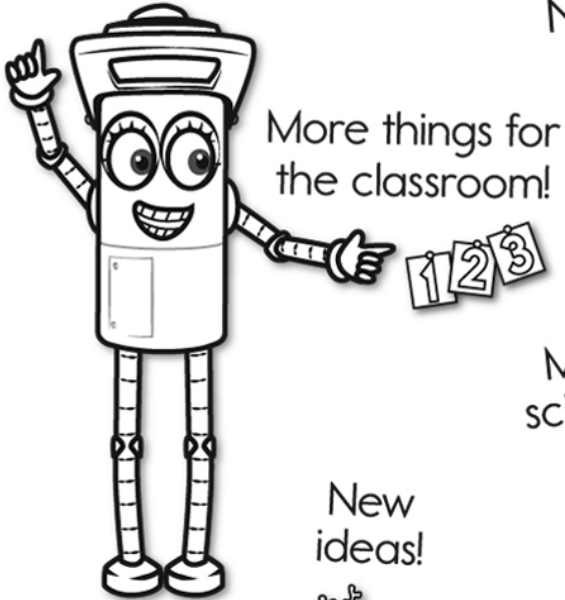
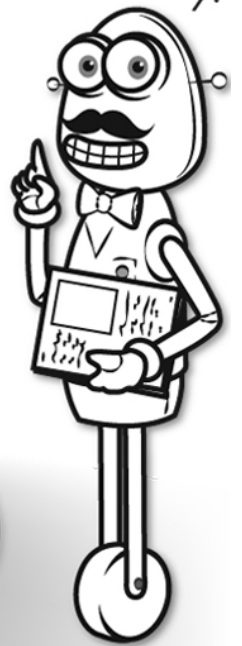
It's NO PREP at edHelper.

More history!

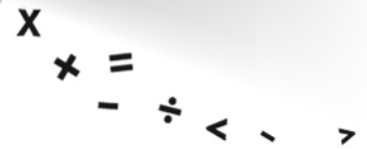


# edHelper.com!

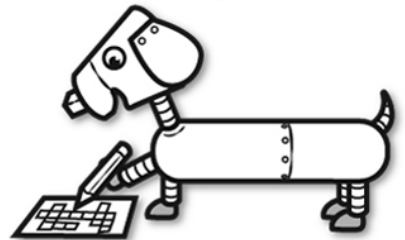
New online math games!



New ideas!



More puzzles!



# Take The Boring Out Of Homework!

Easy to  
print!

edHelper

## Weekly K-6 "Take It Home" Books

Kids want choices  
for homework.  
"Take It Home" books  
have fun graphics and  
challenging puzzles and  
problems for older kids.

"Dr. Programmer"  
challenges kids..

Homework  
will never be  
the same!

edHelper.com

