

Name: \_\_\_\_\_

<p>Miss Brown had some knitting needles. She bought 4 more needles. Now she has 14 needles. How many needles did she have before?</p>	<p>Hunter made a pattern. He used pins and needles. See if you can finish his pattern: 1 pin, 2 needles, 3 pins, 4 _____.</p>	<p>It took Ava 12 minutes to drink her soda. It took Peter 6 minutes. How many minutes more did it take Ava?</p>
---	---	--

Color in the four months that follow January.

January	February	March	April
May	June	July	August
September	October	November	December

Count by 3s.

12    15    \_\_\_\_\_

$4 + 2 = \square$	$9 + 4 = \square$	$9 + 4 = \square$	$7 + 9 = \square$
-------------------	-------------------	-------------------	-------------------

Write the missing letter to spell with.

w\_th    wi\_h    \_ith

Write the missing sign.

$9 \_ 4 = 5$

$3 + 2 = \square$

3 is more than

3     4     2

$7 - 0 = \underline{\hspace{2cm}}$

13     14     7

twelve

12     13     6

**NOON**    O N N O O N E O U T V N N O O N D N S P L

**US**    T U H S S K W B U S Q S N H C V U U G R J

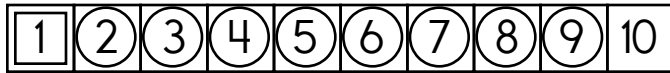
**NAIL**    N A I L L S I E K N M Q P N R J N A L L I

**BACK**    R F J B K V U B U K I G K C N P B A C K A

**BLEW**    A E M N B L O W E D J Q B W B L L B L E W

**SHARK**    Q K R U H S G S H A R K W O V S H A R T R

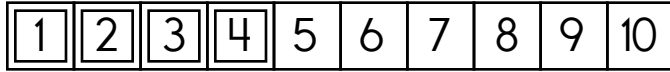
Name: \_\_\_\_\_



$1 + 8 = \underline{\quad}$

$1 + 8 = \underline{\quad}$

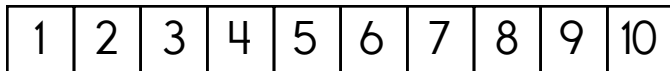
Draw ○



$4 + 5 = \underline{\quad}$

$4 + 5 = \underline{\quad}$

Draw □ and ○



$8 + 2 = \underline{\quad}$

$8 + 2 = \underline{\quad}$

Peter had two baseballs. He threw two baseballs. How many baseballs does he have left?

$\underline{\quad} - \underline{\quad} = \underline{\quad}$

He has \_\_\_\_\_ baseball(s) left.

Do the words rhyme?



sing



bring



Yes

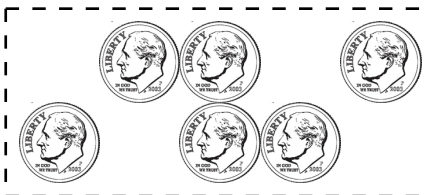


No

Count by 10s.

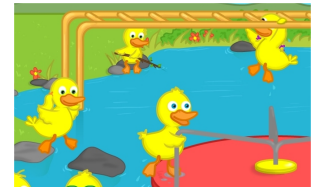


= 10 ¢



How much?

\_\_\_\_\_ ¢



Which shows a way to take apart 5?

$5 - 1 = 4$       $6 - 5 = 1$

$6 - 4 = 2$

Which shows a way to make 15?

$2 + 6$       $3 + 7$

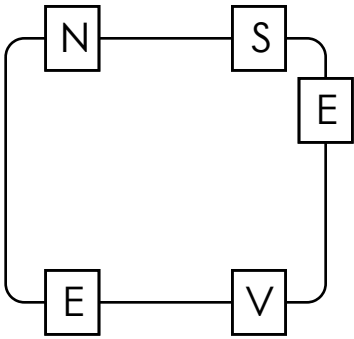
$8 + 7$       $8 + 6$

5 tens and 4 ones

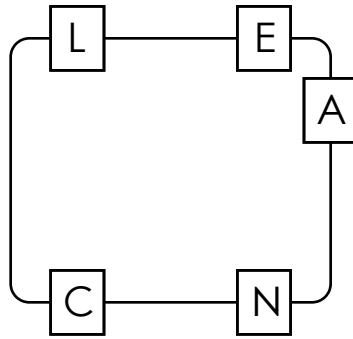
504     54     5

Name: \_\_\_\_\_

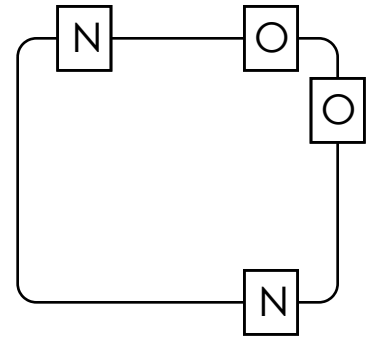
Write the hidden word. Start at one letter and then move either left or right. Continue in same direction.



\_\_\_\_\_

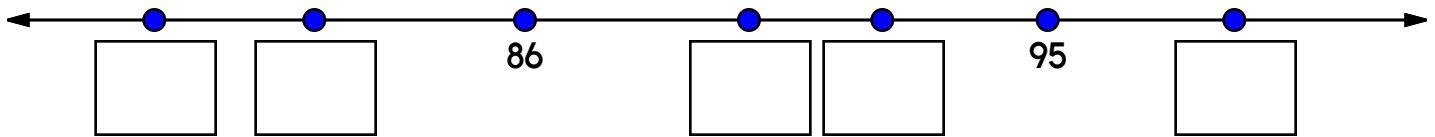


\_\_\_\_\_



\_\_\_\_\_

Write the missing numbers to complete the number line.



Use these numbers: 98, 83, 90, 80, 92

Read the word.  
Clap your hand for each syllable.  
How many syllables?

with

1      2      3

Count by 2s.

14      \_\_\_\_\_      18

$3 + 9 = \square$

$11 - 4$

$6 + 3$

What is the sum of 0 and 5?

- 5       7       3

ten

- 10       8       15

7 tens and 1 one

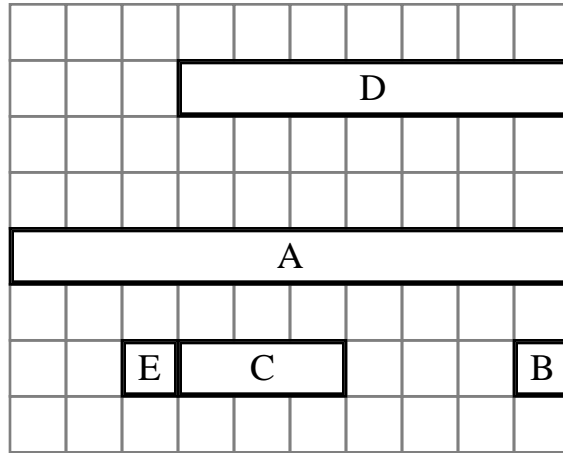
- 7       450       71

Sara read five books about space. Sarah read three books about space. How many more books did Sara read than Sarah?

Circle the words.

standshallcaseminecomelastyetcall  
standcalleachsinkhillshipshallsailgot  
rubberdrawgotgirldryminecallyet

Name: \_\_\_\_\_



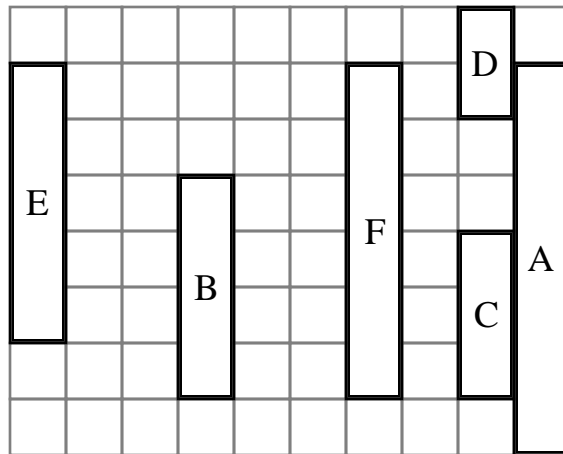
Rectangle D is shorter than rectangle \_\_\_\_\_

Rectangle B is \_\_\_\_\_ unit long.

Rectangle C is \_\_\_\_\_ units long.

Rectangle \_\_\_\_\_ is the longest rectangle.

Rectangle E is \_\_\_\_\_ unit long.

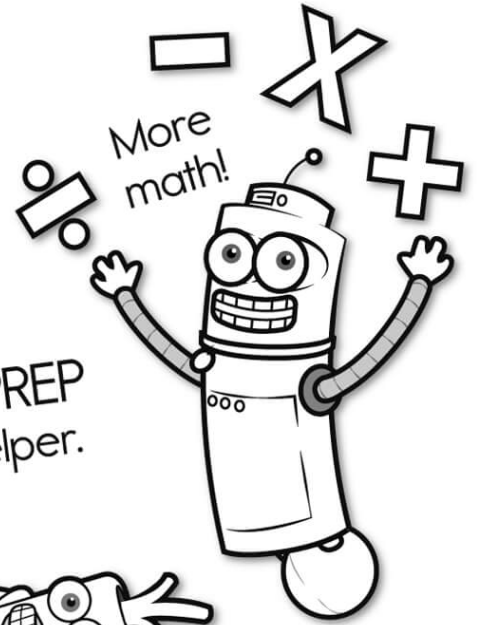


Rectangle B is shorter than rectangle \_\_\_\_\_

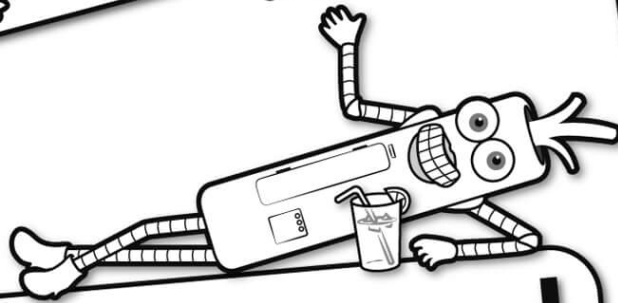
Rectangle A is \_\_\_\_\_ units long.

Rectangle \_\_\_\_\_ is the longest rectangle.

Rectangle B is \_\_\_\_\_ units long.

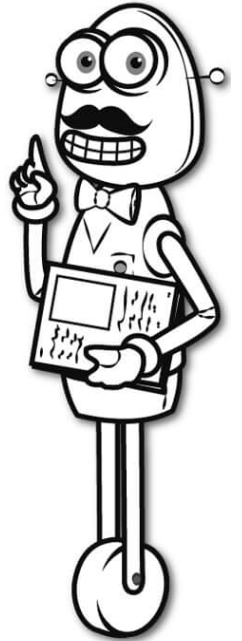


It's NO PREP at edHelper.



# edHelper.com!

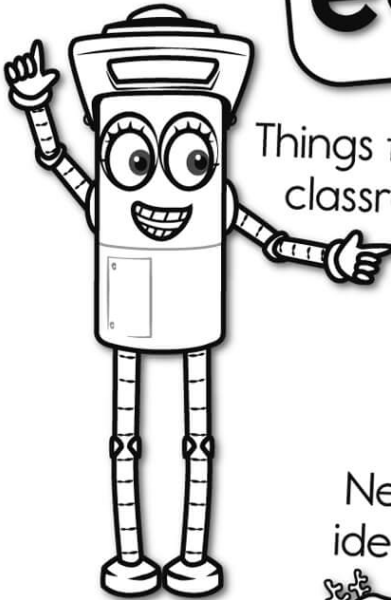
More history!



only \$19.99 per year



Things for the classroom!



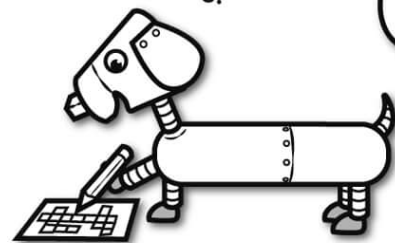
More science!



New ideas!



More puzzles!



# Take The Boring Out Of Homework!

Easy to  
print!

edHelper

## Weekly K-6 "Take It Home" Books

Kids want choices  
for homework.  
"Take It Home" books  
have fun graphics and  
challenging puzzles and  
problems for older kids.

"Dr. Programmer"  
challenges kids..

Homework  
will never be  
the same!

edHelper.com

