



Name: _____

<p>Cindy is three years older than her little brother. He is eight years old. How old is Cindy?</p>	<p>Wendy liked the Hug Holiday. She got three hugs from her mother. She got four hugs from her father. She got three hugs from her sister. She got four hugs from her grandmother. How many hugs did Wendy get in all?</p>	<p>Ava has more than 7 apples. She has fewer than 9 apples. How many apples does she have?</p>
---	--	--

Write <, >, or =.

96 ○ 67	20 ○ 21	79 ○ 73
73 ○ 64	23 ○ 42	36 ○ 32
20 ○ 20	89 ○ 41	24 ○ 89

<p>Do the words rhyme?</p> <div style="display: flex; justify-content: space-around; align-items: center;"> <div style="text-align: center;">  chair </div> <div style="text-align: center;">  hair </div> <div style="text-align: center;"> <input type="radio"/> Yes <input type="radio"/> No </div> </div>	<input type="radio"/> cild <input type="radio"/> cold <input type="radio"/> cald <input type="radio"/> coold	<table border="1" style="width: 100%;"> <tr> <td style="width: 50%; text-align: center;">five</td> <td style="width: 50%; text-align: center;">six</td> </tr> </table>	five	six
five	six			

<p>There are 2 orange buttons and 2 red buttons. How many buttons are there?</p> <p>○ 3 ○ 4 ○ 15</p>	<p>What is the difference for $14 - 1$?</p> <p>○ 13 ○ 7 ○ 10</p> <p>○ 0</p>	<p>What is the sum of $3 + 4 + 4$?</p> <p>○ 4 ○ 7 ○ 11 ○ 12</p>
--	--	---

Name: _____

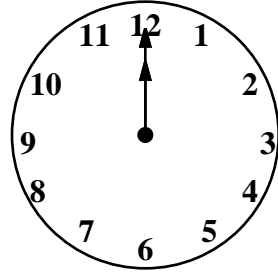
WHAT DO EARS DO AT THE GYM TO STAY HEALTHY AND FIT?

9 7 2 1 3 6 0 5

$9 - 6 = \underline{\quad}$	B	$8 - 8 = \underline{\quad}$	C
$8 + 1 = \underline{\quad}$	E	$7 - 2 = \underline{\quad}$	S
$2 + 4 = \underline{\quad}$	I	$7 - 6 = \underline{\quad}$	O
$2 + 0 = \underline{\quad}$	R	$1 + 6 = \underline{\quad}$	A

Count by 2s.

4 6 _____



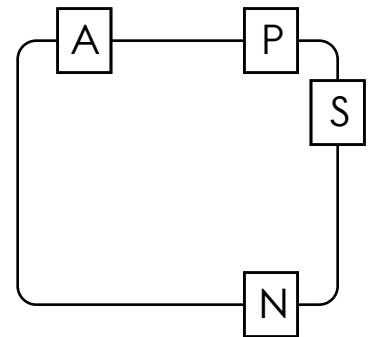
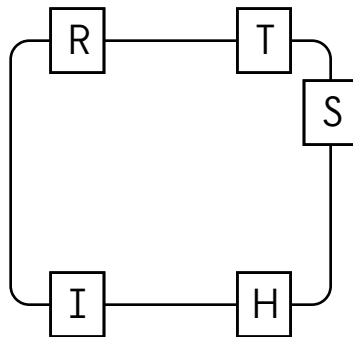
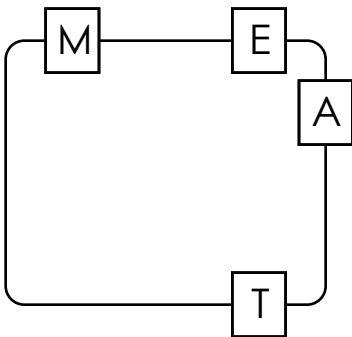
four

_____ : 00

- klen
- clen
- clean
- claen

zero

Write the hidden word. Start at one letter and then move either left or right. Continue in same direction.



Write the missing sign.

9 7 = 2

7 + 6 = 9 + 6 = 6 + 6 = 3 + 6 =

Name: _____

m h b b f e y s q s o n
y r c m y r y b b b y n
l r f r l l r y n w f m
b s u b g y y n a w e n
i s a i s s f f w r n e
q y e c a f d y r f d v

Look for these words BACKWARDS in the word search:

bus new cry
fry

Circle the larger number.

11

85

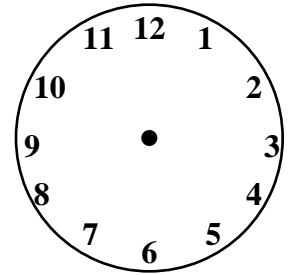
58

57

65

37

Show 8 o'clock.



Count by 3s.

6 _____ 12

1 2 3 4 5 6 7 8 9 10

$5 - \cancel{1} = \underline{\quad}$

$5 - 1 = \underline{\quad}$

Draw X

1 2 3 4 5 6 7 8 9 10

$4 - \cancel{4} = \underline{\quad}$

$4 - 4 = \underline{\quad}$

Draw □ and X

1 2 3 4 5 6 7 8 9 10

$6 - \cancel{4} = \underline{\quad}$

$6 - 4 = \underline{\quad}$

What is the difference for $13 - 1$?

- 5 0 12 9

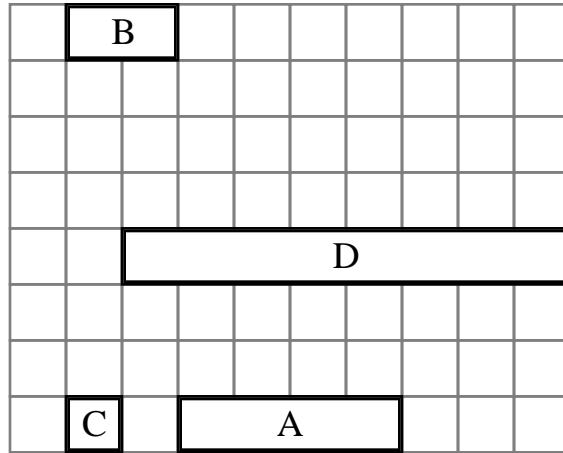
$13 - 9 = \underline{\quad}$

- 4 8 17

What is the sum of $3 + 1 + 3$?

- 4 11 7 3

Name: _____



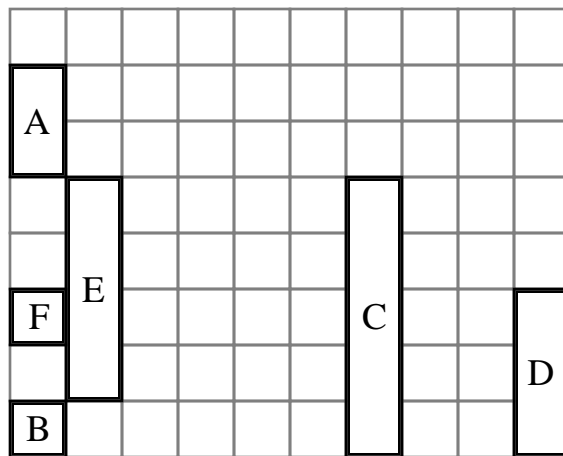
Rectangle _____ is the longest rectangle.

Rectangle C is _____ unit long.

Rectangle A is shorter than rectangle _____

Rectangle _____ is the shortest rectangle.

Rectangle A is _____ units long.

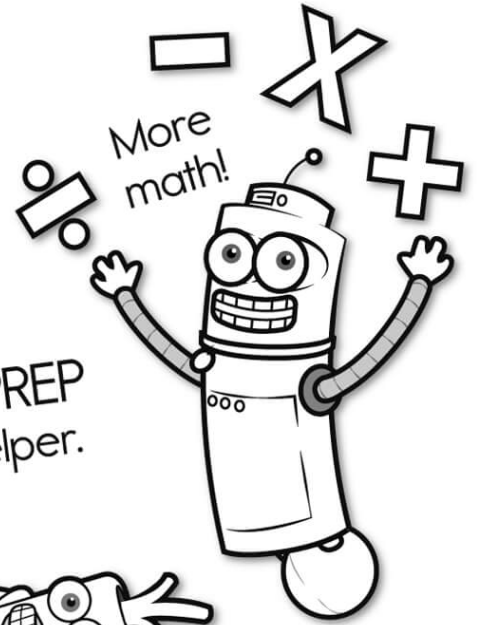


Rectangle F is shorter than rectangle _____

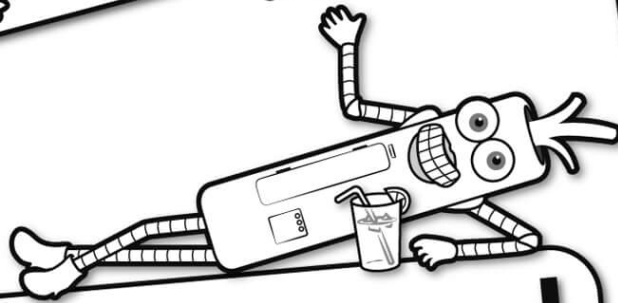
Rectangle E is _____ units long.

Rectangle _____ is the longest rectangle.

Rectangle F is _____ unit long.

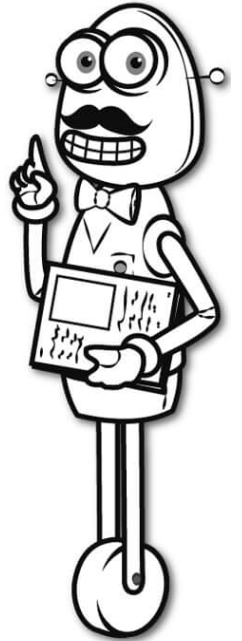


It's NO PREP at edHelper.

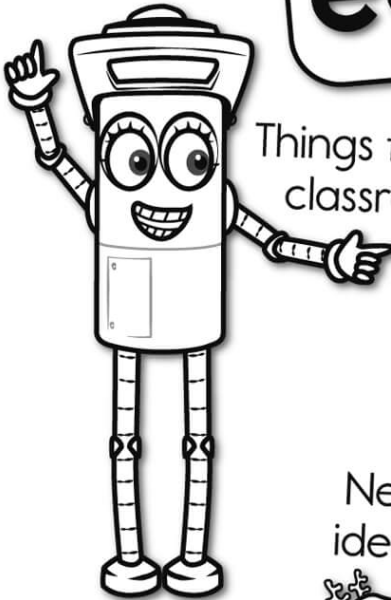


edHelper.com!

More history!

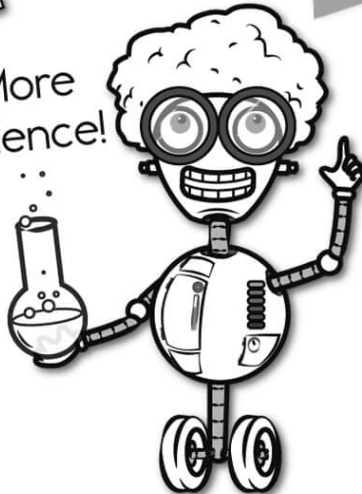


Things for the classroom!



only \$19.99 per year

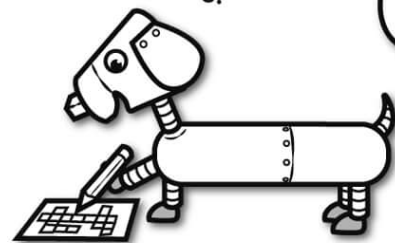
More science!



New ideas!



More puzzles!



Take The Boring Out Of Homework!

Easy to
print!

edHelper

Weekly K-6 "Take It Home" Books

Kids want choices
for homework.
"Take It Home" books
have fun graphics and
challenging puzzles and
problems for older kids.

"Dr. Programmer"
challenges kids..

Homework
will never be
the same!

edHelper.com

