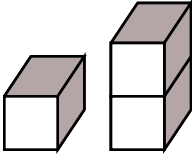


Name: _____

<p>Max took 3 shirts to the thrift shop. Then he took 5 more shirts. How many shirts did he take in all?</p>	<p>Amy liked the Hug Holiday. She got three hugs from her mother. She got two hugs from her father. She got three hugs from her sister. She got four hugs from her grandmother. How many hugs did Amy get in all?</p>	<p>Sara finds 8 seashells. Jenna finds 11 more shells. How many shells do they find in all?</p>
--	---	---

Choose three colors. Color words that belong in the same category with the same color.

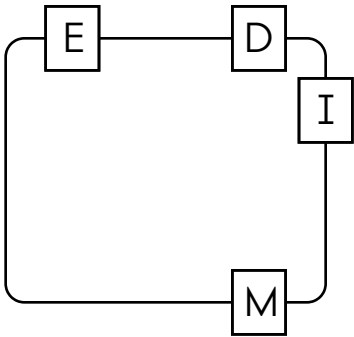
tree	fang	grub	claw
gifts	centipede	caterpillar	Santa
tail	beetle	cookies	whisker

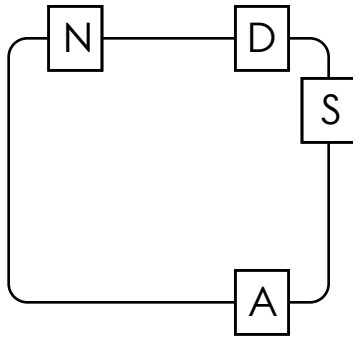
<p>How many blocks?</p> 	<p>Count by 10s.</p> <p>59 <u> </u> 79</p>	<p><input type="radio"/> keree</p> <p><input type="radio"/> kare</p> <p><input type="radio"/> carry</p> <p><input type="radio"/> karea</p>	<p>nine</p>				
<table style="width: 100%; text-align: center;"> <tr> <td style="width: 25%;">two</td> <td style="width: 25%;">zero</td> <td style="width: 25%;">six</td> <td style="width: 25%;"></td> </tr> </table>	two	zero	six				
two	zero	six					

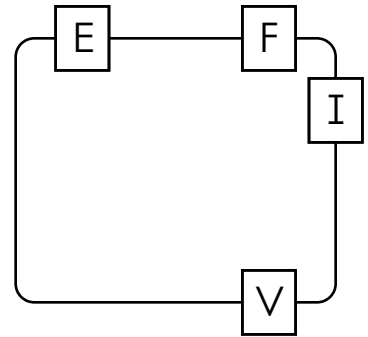
$8 + 5 = \square$	$8 + 6 = \square$	$5 + 3 = \square$	$5 + 5 = \square$	$4 + 7 = \square$	$3 + 6 = \square$
-------------------	-------------------	-------------------	-------------------	-------------------	-------------------

Name: _____

Write the hidden word. Start at one letter and then move either left or right. Continue in same direction.







Count by 3s.

12 _____ 18

Count by 5s. Color the numbers yellow.

1	2	3	4	5	6	7	8	9	10
11	12	13	14	15	16	17	18	19	20

Count by 5s.

5 10 15 _____

What is the sum of
 $2 + 4 + 1$?

8 12 11 7

What is the difference
for $6 - 3$?

4 2 8 3

What is the sum of 5
and 9?

12 11 14

ITS Q B T S J T X K I R A S E T S I T S I T F S

BABY B B A Y W B A B Y S B A B A B Y A Y Z A Y E

HE K H E E H I L D T E H E C H E B E H H E E E

Name: _____

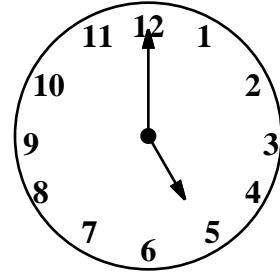
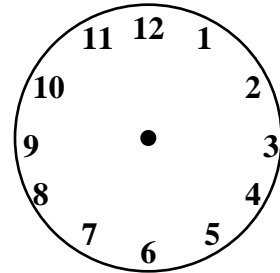
WHY DID THE PILOT MISS WORK?

7 8 7 3 4 9 7 8

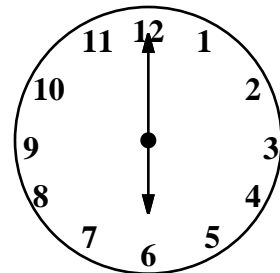
5 1 8 0

$7 + 1 = \underline{\quad}$	$9 - 9 = \underline{\quad}$
$4 - 3 = \underline{\quad}$	$0 + 4 = \underline{\quad}$
$1 + 2 = \underline{\quad}$	$0 + 5 = \underline{\quad}$
$4 + 3 = \underline{\quad}$	$7 + 2 = \underline{\quad}$

Show 11 o'clock.



_____ : _____



_____ : _____

$6 - 6 = \underline{\quad}$

- 6 11 0

ten

- 16 9 10

7 is more than

- 8 6 7

WHY H Y I W H W I E H H W H Y W W T C V O W Y

HER U R O G H E R C H H I R P R F T A D E R H

EAST S F O M H X Z E E A S T E R Y A V U I S T

BEAT A B E A T V A B E A L T B H D T W F J G X

RODE C E R O D E W R O D E O D L R I B P R T Y

CANNOT T C E N N A T N O Y V P C A N N O T G F S

Name: _____

Complete the pattern.

2 4 6 8 10 12 14

4 8 12 16 20 24 28

3 6 9 12 15 18 21

1 2 3 4 5 6 7

Complete the pattern.

5 10 15 20 25 30

20 25 30 35 40 45

20 24 28 32 36 40

Name: _____

Complete the pattern.

4 6 8 10 12

3 4 5 6 7

12 15 18 21 24

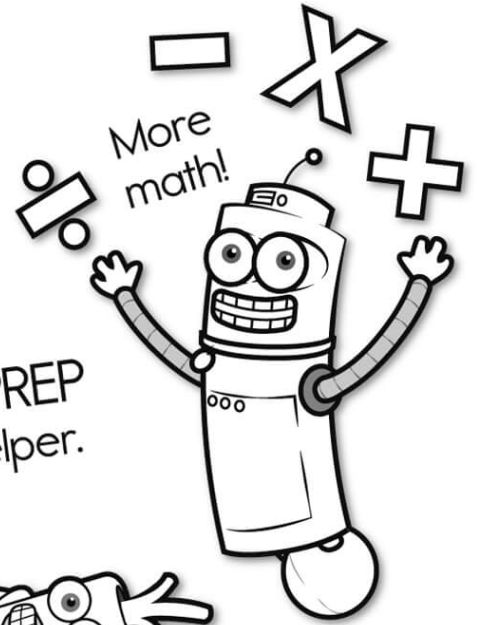
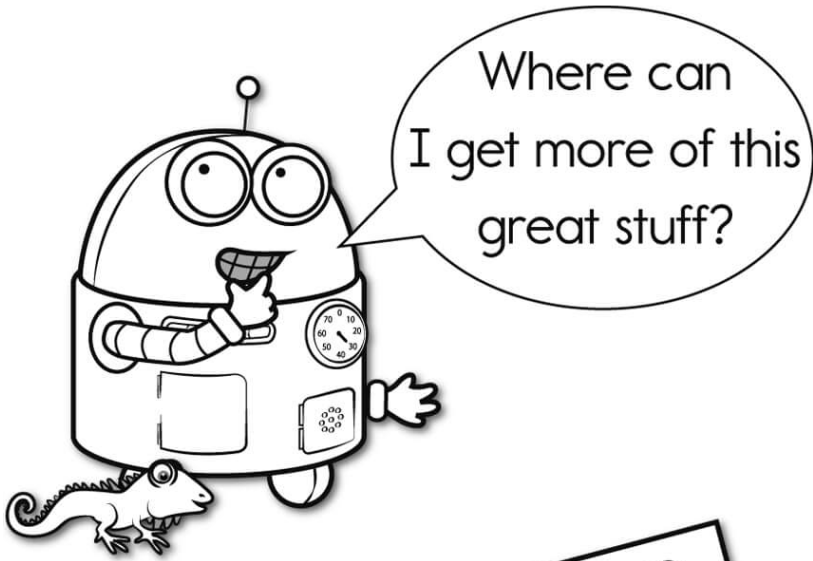
25 30 35 40 45

Complete the pattern.

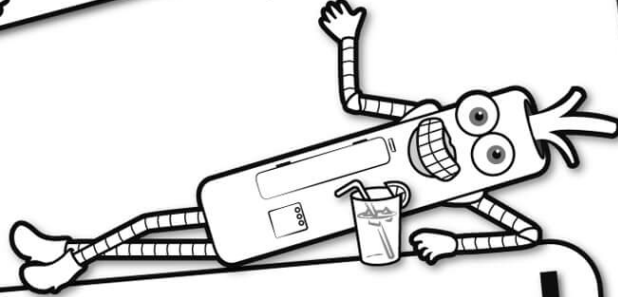
3 4 5 6 7

8 12 16 20 24

15 18 21 24 27



It's NO PREP at edHelper.

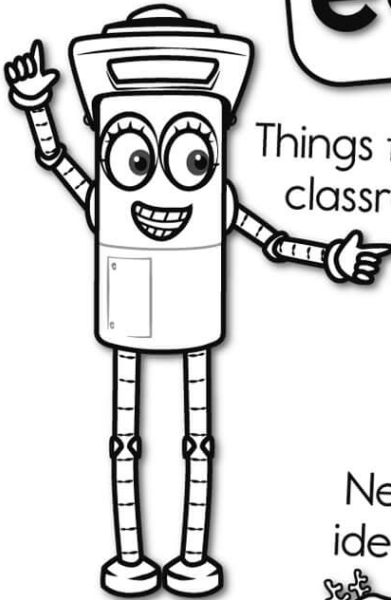


edHelper.com!

More history!



Things for the classroom!



only \$19.99 per year

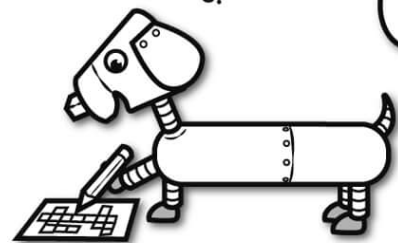
More science!



New ideas!



More puzzles!



Take The Boring Out Of Homework!

Easy to
print!

edHelper

Weekly K-6 "Take It Home" Books

Kids want choices
for homework.
"Take It Home" books
have fun graphics and
challenging puzzles and
problems for older kids.

"Dr. Programmer"
challenges kids..

Homework
will never be
the same!

edHelper.com

