

Name: \_\_\_\_\_

Mrs. Brown put eight pecans on her cake. Then she put six more pecans on the cake. How many pecans were on the cake?

Bill counted 24 boys eating ice cream. They were very happy. Ann counted 2 more boys than Bill. How many boys did Ann count?

Robert drew animal cartoons. He drew eight rabbits, three deer, three bears, and six horses. How many rabbits, horses, and deer did he draw?

What is going on in the picture? Write a topic and a title to describe the picture.



Topic: \_\_\_\_\_

\_\_\_\_\_

Title: \_\_\_\_\_

\_\_\_\_\_

Write how much to subtract.

8  $\bigcirc - 3$  5  $\bigcirc - 3$  2

Start with 8.

Subtract 3. Repeat.

14  $\bigcirc$  10  $\bigcirc$  6

Start with \_\_\_\_\_.

Subtract \_\_\_\_\_. Repeat.

15  $\bigcirc$  10  $\bigcirc$  5

Start with \_\_\_\_\_.

Subtract \_\_\_\_\_. Repeat.

16  $\bigcirc$  10  $\bigcirc$  4

Start with \_\_\_\_\_.

Subtract \_\_\_\_\_. Repeat.

13  $\bigcirc$  10  $\bigcirc$  7

Start with \_\_\_\_\_.

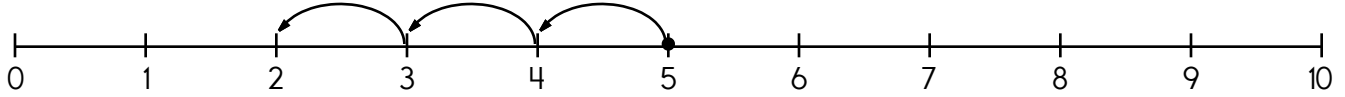
Subtract \_\_\_\_\_. Repeat.

18  $\bigcirc$  13  $\bigcirc$  8

Start with \_\_\_\_\_.

Subtract \_\_\_\_\_. Repeat.

Name: \_\_\_\_\_

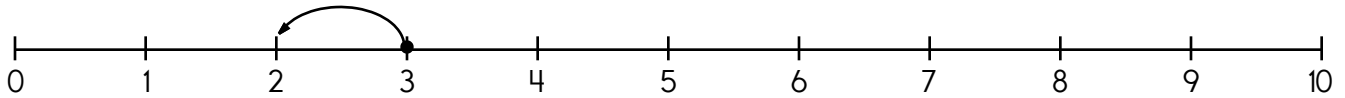


a. I started at \_\_\_\_\_.

b. I counted back \_\_\_\_\_ spaces.

c. I stopped on \_\_\_\_\_.

$5 - \underline{\quad} = \underline{\quad}$



a. I started at \_\_\_\_\_.

b. I counted back \_\_\_\_\_ space.

c. I stopped on \_\_\_\_\_.

$3 - \underline{\quad} = \underline{\quad}$

Write the missing letter.

n  
y  
a  
c\_\_p

n  
u  
h  
va\_\_

v  
c  
z  
\_\_ame

Count by 1.

1 \_\_\_\_\_ 3 \_\_\_\_\_

2 is \_\_\_\_\_ more than 1.

Write the missing letter to spell own.

o\_n    ow\_    \_wn

$7 + 6 = \square$

$4 + 6 = \square$

three

$10 - 7$

6 is more than

5     6     7

3 tens and 8 ones

8     3     38

$5 - 2 = \underline{\quad}$

1     3     3

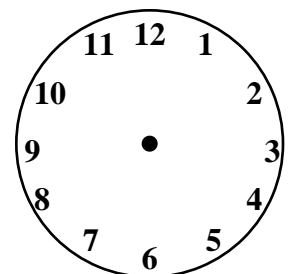
Connor's house has three blue windows and four yellow windows. How many windows are there in all?

Read the word.  
Clap your hand for each syllable.  
How many syllables?

make

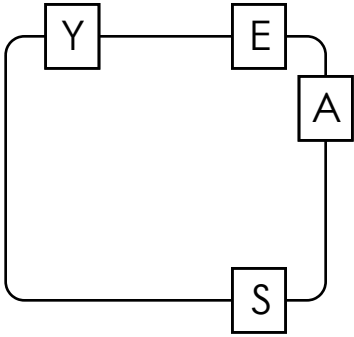
1    2    3

Show 2 o'clock.

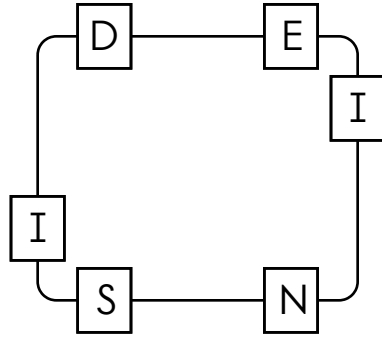


Name: \_\_\_\_\_

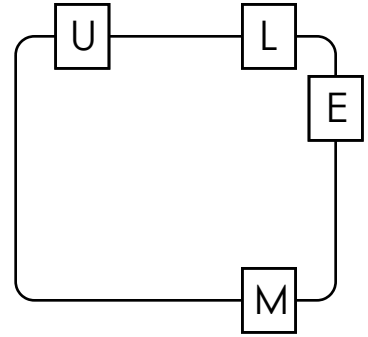
Write the hidden word. Start at one letter and then move either left or right. Continue in same direction.



\_\_\_\_\_



\_\_\_\_\_



\_\_\_\_\_

Trace. Then complete the sentence.

★ My ★ room ★ is ★ messy.★

★ My ★ room ★ is ★ clean.★

★ My ★ room ★ is ★ cool.★

★ My ★ room ★ is ★ \_\_\_\_\_

\_\_\_\_\_

-----

\_\_\_\_\_

-----

-----

-----

Name: \_\_\_\_\_

bigger  
number

smaller  
number

51

77

93

100

2

84

73

92

106

76

75

72

75

68

60

78

13

85

23

43

98

97

71

93

87

90

77

61

91

21

18

40

72

45

17

71

86

76

49

11

31

46

74

90

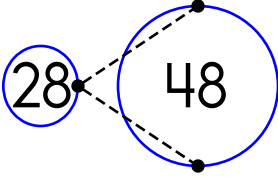
98

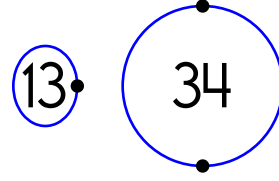
88

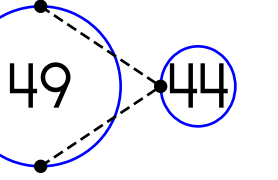
49

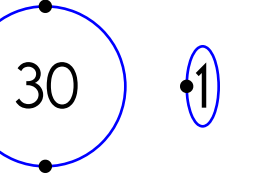
27

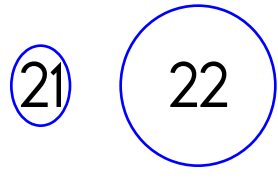
Name: \_\_\_\_\_

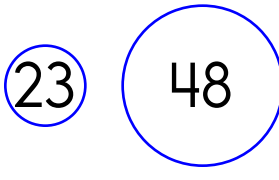
  $28 < 48$

  $13 < 34$

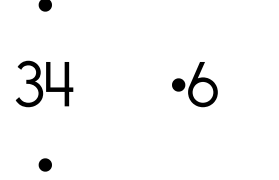
  $49 > 44$

  $30 \square 1$

  $21 \square 22$

  $23 \square 48$

  $49 \square 25$

  $34 \square 6$

$36 \square 50$

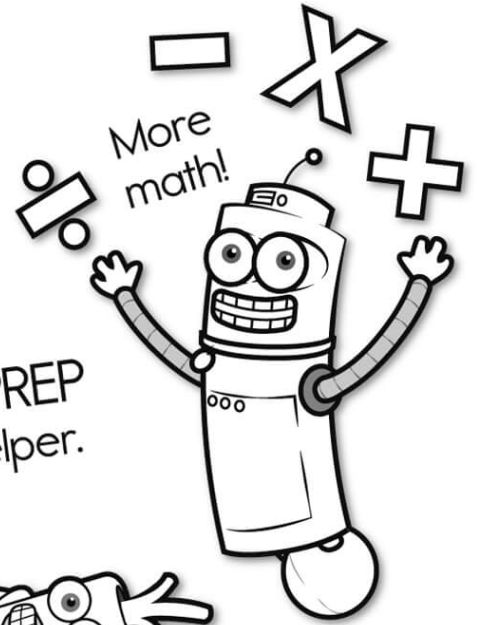
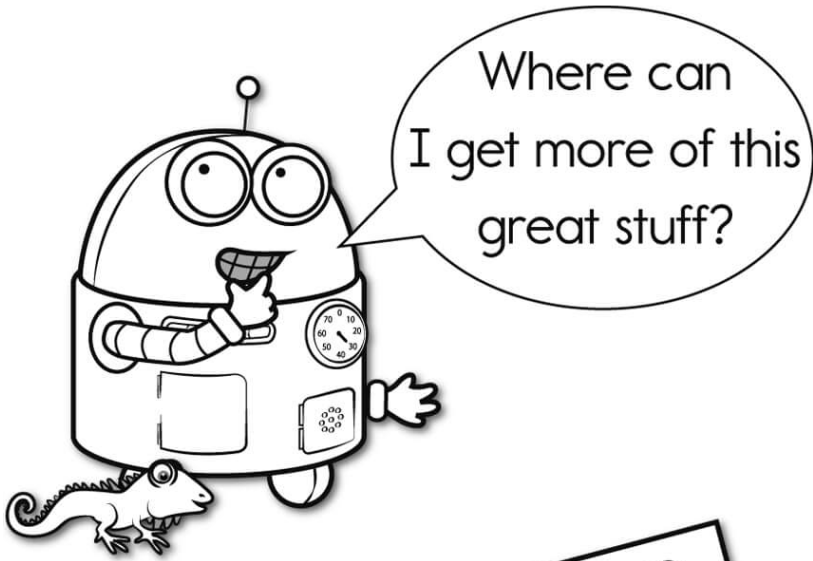
$41 \square 27$

$30 \square 24$

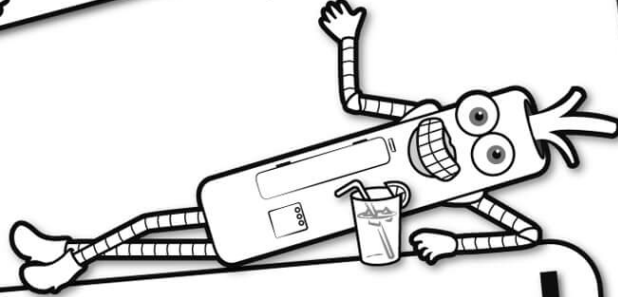
$32 \square 52$

$2 \square 45$

$18 \square 46$

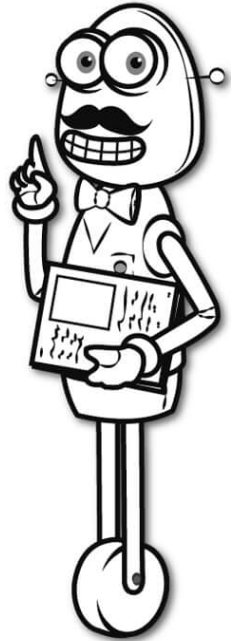


It's NO PREP at edHelper.

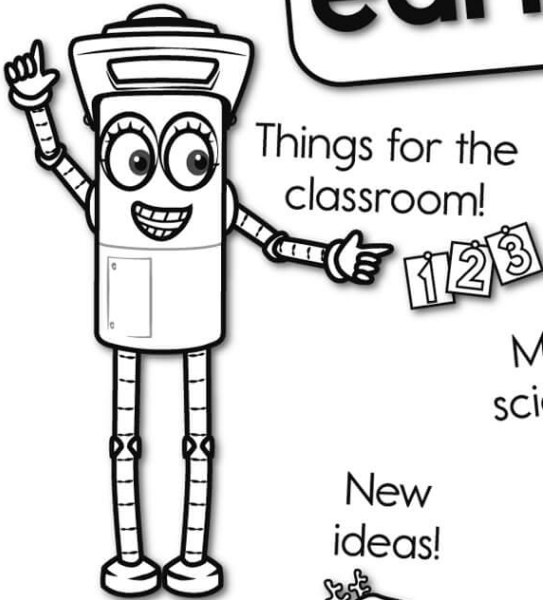


**edHelper.com!**

More history!



**only \$19.99 per year**



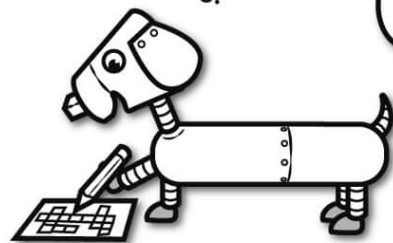
More science!



New ideas!



More puzzles!



# Take The Boring Out Of Homework!

Easy to  
print!

edHelper

## Weekly K-6 "Take It Home" Books

Kids want choices  
for homework.  
"Take It Home" books  
have fun graphics and  
challenging puzzles and  
problems for older kids.

"Dr. Programmer"  
challenges kids..

Homework  
will never be  
the same!

edHelper.com

