



Name: _____

Get a fidget spinner! Spin it.

I needed to spin _____ time(s) to finish.

How many?



Circle all the ways to make 6.

1 + 3 2 + 4 3 + 3
2 + 2 1 + 5 1 + 6
5 + 3 3 + 2 5 + 2

How many dots on the bug?



Estimate. Mary took a cup and filled it with pennies. How many could she fit into the cup?

3
103
303
2003

Write these numbers in order from smallest to largest.

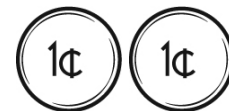
5, 1, 13
____, _____, _____

B, I, C, J, D, K, E, L, F,
M, _____, N

What is ten less than 76?

B, F, _____, N, R, V, Z

How much is this?



6, 8, _____, 12, 14, 16,
18, 20

Pam is reading book 2 of the My Club series. There are 7 books in the series. After she finishes book 2, how many more books will she read to finish the series?

Circle the odd numbers.

2 88 31
7 93 15
24 326 949



Name: _____

Spin again.

I needed to spin _____ time(s) to finish.

How many?



$5 + 3 = \underline{\quad}$

$6 + 3 = \underline{\quad}$

38, 39, _____, _____, 42,

How much is this?



How many?



48, _____, _____, _____, 52, 53

C, E, G, I, K, M,

_____, Q, S, U, W

H, 9, H, 9, H, 9, H, 9,

H, 9, H, 9, _____, 9

g, 7, 6, g, 7, _____, g,

7, 6, g, 7, 6

What is ten more than 52?

Circle the fourth letter.

5, B, F, 9, 3, A, D, 2, D,
D, 5, 4, F, 3, 9, A, 1, F

Circle the third number.

A, 1, F, A, 4, 9, 7, 6, D,
D, F, 1, B, F, 5, 7, 4

Name: _____

Only use a pencil to write the numbers on the blank lines. You do not need any scrap paper! Solve it in your head. If you forget a number, then start over. Cool, huh?

Mental Math



= Do it
in your
head!

imagine 5 in your head

add 5

Write the number.

A B

imagine 6 in your head

add 4

add 8

Write the number.

C D

imagine 9 in your head

subtract 5

add 6

Write the number.

E F

imagine 9 in your head

subtract 3

add 6

Write the number.

G H

What is the sum?

$A + B + C + D + E + F + G + H$

Wow! Great job! That's the answer, but do you know how to SPELL the number?

_____ e e _____

3 after 13 _____

8 before 16 _____

2 after 17 _____

7 after 16 _____

2 before 18 _____

6 after 11 _____

9 after 15 _____

6 before 17 _____

1 after 12 _____

5 after 18 _____

4 before 14 _____

4 after 14 _____

Name: _____

Hannah wrote eight poems. Connor wrote five poems. How many more poems did Hannah write?

Hunter made seven cookies. Each cookie had four pecans in it. How many pecans were in the cookies in all?

Mary bought some seeds. She planted them in pots. They grew into corn plants. There were eight plants. Each plant had four ears of corn on it. How many ears of corn were there in all?

Amy asked Jacob how many cows he saw. He said there were fewer than 22. There were more than 20. How many cows did Jacob see?

$$\begin{array}{r} 3 \\ - 1 \\ \hline \end{array}$$

How much is this?



16, 17, _____, _____, _____, 21,

$$53 - \underline{\quad} = 43$$

Circle the fifth letter.

2, F, A, D, 3, 4, B, D, 6,
A, 7, 6, 7, 8, B, 3, A, A

Double two.

Name: _____



	+1	-1	+2	-2
31				
65				
80				
29				
54				
47				
73				
52				
78				
26				

Name: _____

The school is having a bake sale. Alex brought seven brownies. Anna brought four pies. How many baked goods did the two students bring in all?

$7 + 4 = \underline{\quad}$

They brought _____ baked goods.

Anna had eleven chickens. Eleven chickens ran away. How many chickens does she have left?

$11 - 11 = \underline{\quad}$

She has _____ chickens left.

Jacob saw four icicles. Then he saw three more icicles. How many icicles did he see altogether?

$4 + 3 = \underline{\quad}$

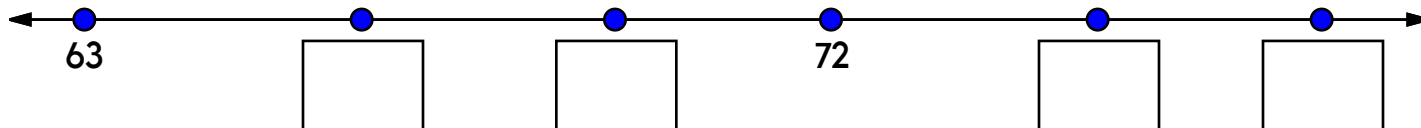
He saw _____ icicles.

I am cheerful when _____

Count by 5s.

2 7 _____

Write the missing numbers to complete the number line.



Use these numbers: 69, 66, 75, 78

7 is more than

8 7 6

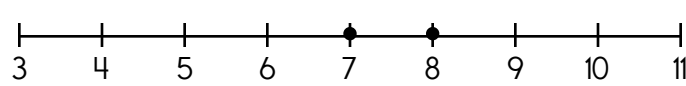
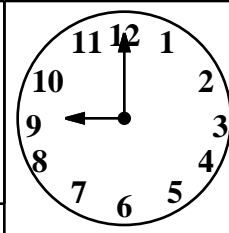
Write the missing sign.

$8 \underline{\quad} 2 = 6$



Name: _____

<p>Mrs. James made 13 cards for Forget Me Not Day. Fay made 4 more cards than Mrs. James. How many cards did Fay make?</p>	<p>Ava liked to hike. She liked to look at the flowers. She liked to count the birds. Today she saw eight bluebirds on her hike. She saw twelve robins. She saw six blue jays. How many birds did Ava see in all?</p>	<p>Jenna saw a red bug. Alex saw four white bugs. How many more bugs did Alex see?</p>
--	---	--

<p>Circle two numbers in each group to make 14.</p> <div style="border: 1px dashed black; padding: 5px; margin-bottom: 5px;">10 11 4 6</div> <div style="border: 1px dashed black; padding: 5px; margin-bottom: 5px;">8 3 11 10</div> <div style="border: 1px dashed black; padding: 5px;">10 8 3 11</div>	<div style="text-align: center;">  <p style="margin-top: 5px;">$7 + \underline{\quad} = 8$</p> </div> <div style="display: flex; justify-content: space-around; margin-top: 10px;"> <div style="border: 1px solid black; padding: 5px;">$2 + 7 = \square$</div> <div style="border: 1px solid black; padding: 5px;">$6 + 9 = \square$</div> <div style="border: 1px solid black; padding: 5px;">$8 + 6 = \square$</div> </div>	<div style="text-align: center;">  <p style="margin-top: 5px;">____ : ____</p> </div>
<p>3 tens and 6 ones</p> <p><input type="radio"/> 6 <input type="radio"/> 36 <input type="radio"/> 63</p>	<p>$7 - 7 = \underline{\quad}$</p> <p><input type="radio"/> 13 <input type="radio"/> 0 <input type="radio"/> 6</p>	<p>$1 + 1 = \underline{\quad}$</p> <p><input type="radio"/> 8 <input type="radio"/> 2 <input type="radio"/> 10</p>

BLUE T H F I D E G B L U E B L A O Z L K J A Y C

MOON O K O Q M M O O N E B E N O M O O N R O N T

WHEN P H J E T Q H N B D M R Y W H E H W H E N C

SAD O S A D D D M F I S D E Q Y V L H S E D T Z

SHY Y G S J S H Y H C S Y R Z H S H I I S P S H

FED W F O J V F E D D F T E F E E H D D E E F I

RAIN N O A N I R R A I N D A R I A N R W T K V A

Name: _____

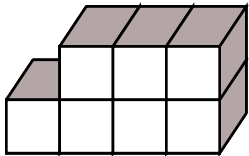
$\begin{array}{r} 1 \\ + 1 \\ \hline \end{array}$	$\begin{array}{r} 4 \\ + 9 \\ \hline \end{array}$	$\begin{array}{r} 8 \\ + 1 \\ \hline \end{array}$	$\begin{array}{r} 8 \\ + 7 \\ \hline \end{array}$	$\begin{array}{r} 8 \\ + 2 \\ \hline \end{array}$	$\begin{array}{r} 1 \\ + 3 \\ \hline \end{array}$	$\begin{array}{r} 6 \\ + 6 \\ \hline \end{array}$	$\begin{array}{r} 9 \\ + 1 \\ \hline \end{array}$	$\begin{array}{r} 3 \\ + 9 \\ \hline \end{array}$
---	---	---	---	---	---	---	---	---

$\begin{array}{r} 3 \\ + 8 \\ \hline \end{array}$	$\begin{array}{r} 6 \\ + 9 \\ \hline \end{array}$	$\begin{array}{r} 2 \\ + 2 \\ \hline \end{array}$	$\begin{array}{r} 3 \\ + 4 \\ \hline \end{array}$	$\begin{array}{r} 9 \\ + 3 \\ \hline \end{array}$	$\begin{array}{r} 2 \\ + 7 \\ \hline \end{array}$	$\begin{array}{r} 7 \\ + 4 \\ \hline \end{array}$	$\begin{array}{r} 1 \\ + 4 \\ \hline \end{array}$	$\begin{array}{r} 5 \\ + 6 \\ \hline \end{array}$
---	---	---	---	---	---	---	---	---

Tim got a big red truck.

Tim got a big red truck.

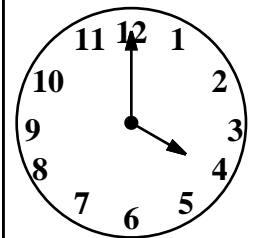
How many blocks?



Count by 1.

1 _____ 4 _____

5 is _____ more than 1.



_____ : 00

8 tens and 2 ones

306 82 28

$12 - 5 =$ _____

4 5 7

5 is more than

6 4 5

$5 + 6 =$

$3 + 9 =$

$6 + 3 =$

$3 + 8 =$

$5 + 8 =$

$9 + 3 =$

Name: _____

Cross off the letter or number that does NOT belong.

e, w, 7, 2, e, w, w, 7, 2, e, w, 7, 2, e, w, 7

Why does _____ not belong in the pattern?

Cross off the number that does NOT belong.

19, 38, 57, 76, 95, 114, 133, 143, 152, 171

Why does _____ not belong in the pattern?

Name: _____

<p>Draw 10 tally marks.</p>	<p>Write the words into the boxes.</p> <p>put ten</p> <div style="display: flex; justify-content: space-around; align-items: center;"> <div style="border: 1px solid black; width: 40px; height: 40px; margin: 5px;"></div> <div style="border: 1px solid black; width: 40px; height: 40px; margin: 5px;"></div> <div style="border: 1px solid black; width: 40px; height: 40px; margin: 5px;"></div> </div> <div style="display: flex; justify-content: space-around; align-items: center; margin-top: 10px;"> <div style="border: 1px solid black; width: 40px; height: 40px; margin: 5px;"></div> <div style="border: 1px solid black; width: 40px; height: 40px; margin: 5px;"></div> <div style="border: 1px solid black; width: 40px; height: 40px; margin: 5px;"></div> </div>
-----------------------------	--

Circle the greater number.	Circle how you know.	Fill in the numbers.
82 17	tens ones	<p>_____ is greater than _____ .</p> <p>_____ > _____</p>
16 59	tens ones	<p>_____ is greater than _____ .</p> <p>_____ > _____</p>
31 35	tens ones	<p>_____ is greater than _____ .</p> <p>_____ > _____</p>

<p>eleven</p> <p><input type="radio"/> 13 <input type="radio"/> 11 <input type="radio"/> 7</p>	<p>15 - 8 = _____</p> <p><input type="radio"/> 23 <input type="radio"/> 11 <input type="radio"/> 7</p>	<p>3 is more than</p> <p><input type="radio"/> 3 <input type="radio"/> 4 <input type="radio"/> 2</p>
--	--	--

LUCK S K L L I C G K L U C L U C K U M U B Y U U

LITTLE L R C H G L I T T L E E L I H T U L E U W B

SHE M J S E Z O S E S H A E Y S H E H E G T X A

CAT N A T G K A T T B C C A T D C T H Q A A Z C

RIDE A Q E N I I R I I D D M K S R C R E R I D E

NO O O O Z T N W N C N J B M N N O N A H X O O

BED Y J E N C B O H D V P D B E D I H B B S T B

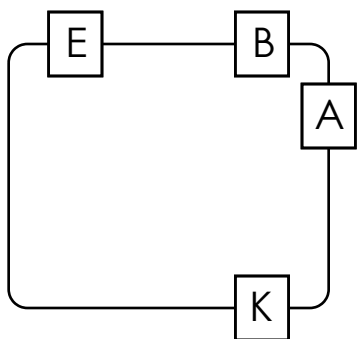
EVERY T E E V E R Y Y Y V W U V E R Y V E E E Y R

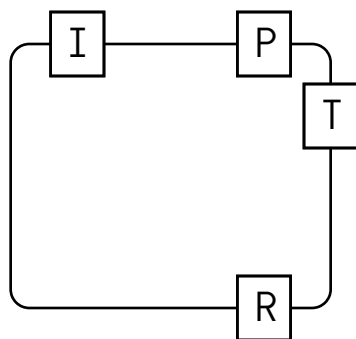
3 + 4 = <input style="width: 40px;" type="text"/>	2 + 6 = <input style="width: 40px;" type="text"/>	2 + 8 = <input style="width: 40px;" type="text"/>	2 + 3 = <input style="width: 40px;" type="text"/>	3 + 9 = <input style="width: 40px;" type="text"/>	3 + 6 = <input style="width: 40px;" type="text"/>
---	---	---	---	---	---

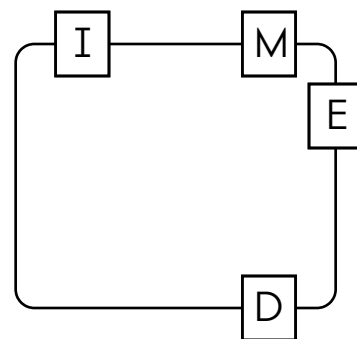
Name: _____

Count by 3s.	$9 + 2 = \square$	$2 + 9 = \square$	$4 + 3 = \square$	$5 + 7 = \square$
6 _____ 12				

Write the hidden word. Start at one letter and then move either left or right. Continue in same direction.







Color in the boxes.

2 or 8 = orange, 3 or 9 = purple,

1 or 0 = yellow, 4 or 6 = pink

What is the hidden number? _____

9	2	0	2	9	1
3	6	6	4	3	6
3	0	8	1	3	8
9	3	3	9	3	9
4	0	2	0	9	2
8	4	4	0	9	1
0	2	1	8	9	4

f l t y j
f a l l a
f e s u b
a s a k a
h f w y a

Word Bank
saw fall

$8 + 6$

6 tens and 8 ones

- 86 280 68

7 tens and 1 one

- 17 71 7

4 is more than

- 4 5 3

Name: _____

1	2	3	4	5	6	7	8	9	10
11	12	13	14	15	16	17	18	19	20

$$\boxed{8} + \textcircled{12} = \underline{\quad}$$

$$8 + 12 = \underline{\quad}$$

Draw ○

1	2	3	4	5	6	7	8	9	10
11	12	13	14	15	16	17	18	19	20

$$\boxed{16} + \textcircled{1} = \underline{\quad}$$

$$16 + 1 = \underline{\quad}$$

Draw □ and ○

1	2	3	4	5	6	7	8	9	10
11	12	13	14	15	16	17	18	19	20

$$\boxed{12} + \textcircled{4} = \underline{\quad}$$

$$12 + 4 = \underline{\quad}$$

Draw □ and ○

1	2	3	4	5	6	7	8	9	10
11	12	13	14	15	16	17	18	19	20

$$\boxed{11} + \textcircled{6} = \underline{\quad}$$

$$11 + 6 = \underline{\quad}$$

Draw □ and ○

1	2	3	4	5	6	7	8	9	10
11	12	13	14	15	16	17	18	19	20

$$\boxed{13} + \textcircled{4} = \underline{\quad}$$

$$13 + 4 = \underline{\quad}$$

Draw □ and ○

1	2	3	4	5	6	7	8	9	10
11	12	13	14	15	16	17	18	19	20

$$\boxed{6} + \textcircled{1} = \underline{\quad}$$

$$6 + 1 = \underline{\quad}$$

Name: _____

1	2	3	4	5	6	7	8	9	10
11	12	13	14	15	16	17	18	19	20

$$\boxed{1} + \textcircled{8} = \underline{\quad}$$

$$1 + 8 = \underline{\quad}$$

Draw ○

1	2	3	4	5	6	7	8	9	10
11	12	13	14	15	16	17	18	19	20

$$\boxed{3} + \bigcirc = 9$$

$$3 + \underline{\quad} = 9$$

Draw □ and ○

1	2	3	4	5	6	7	8	9	10
11	12	13	14	15	16	17	18	19	20

$$\boxed{9} + \bigcirc = 12$$

$$9 + \underline{\quad} = 12$$

Draw □ and ○

1	2	3	4	5	6	7	8	9	10
11	12	13	14	15	16	17	18	19	20

$$\boxed{2} + \bigcirc = 6$$

$$2 + \underline{\quad} = 6$$

Draw □ and ○

1	2	3	4	5	6	7	8	9	10
11	12	13	14	15	16	17	18	19	20

$$\boxed{7} + \bigcirc = 18$$

$$7 + \underline{\quad} = 18$$

Draw □ and ○

1	2	3	4	5	6	7	8	9	10
11	12	13	14	15	16	17	18	19	20

$$\boxed{10} + \bigcirc = 19$$

$$10 + \underline{\quad} = 19$$

Name: _____

Complete the pattern.

2 4 6 8 10 12 14 _____


1 2 3 4 5 6 7 _____

5 10 15 20 25 30 35 _____

4 8 12 16 20 24 28 _____

3 6 9 12 15 18 21 _____


across →

2.  ___e___

3.  ___ye

down ↓

1.  o___d

3.  ___g

1.		3.		
2.				

What is the sum of
 $2 + 4 + 2$?

- 6 8 4 5

six

- 16 17 6

What is the difference
for $12 - 3$?

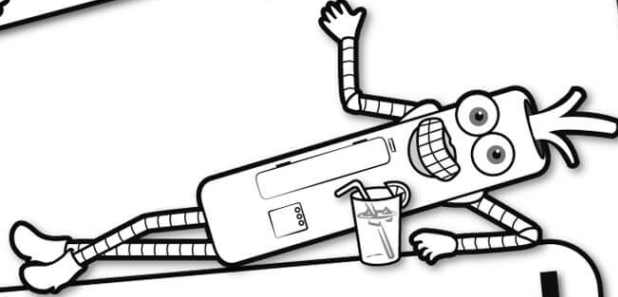
- 9 8 2 1

word root **mis** can mean **wrong or bad**

misnomer

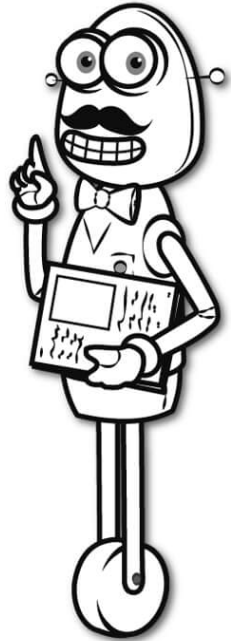


It's NO PREP at edHelper.

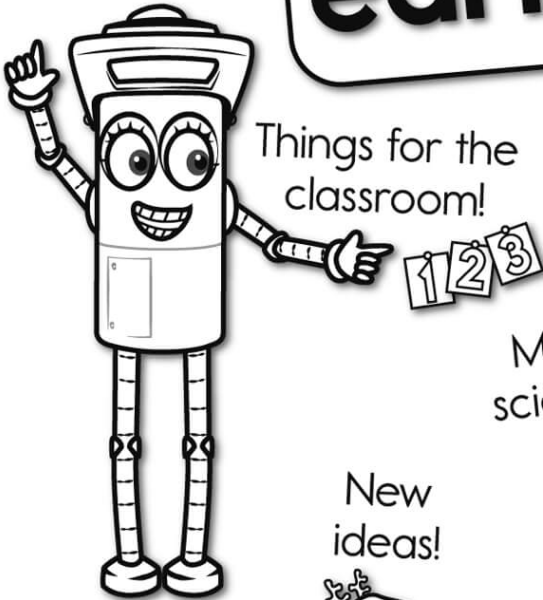


edHelper.com!

More history!



only \$19.99 per year



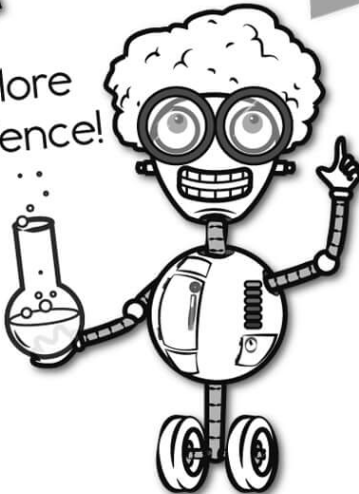
Things for the classroom!



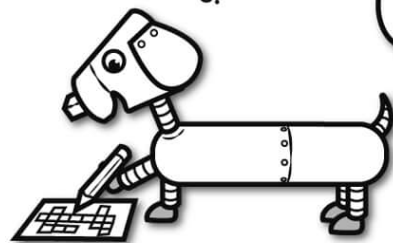
New ideas!



More science!



More puzzles!



Take The Boring Out Of Homework!

Easy to
print!

edHelper

Weekly K-6 "Take It Home" Books

Kids want choices
for homework.
"Take It Home" books
have fun graphics and
challenging puzzles and
problems for older kids.

"Dr. Programmer"
challenges kids..

Homework
will never be
the same!

edHelper.com

