

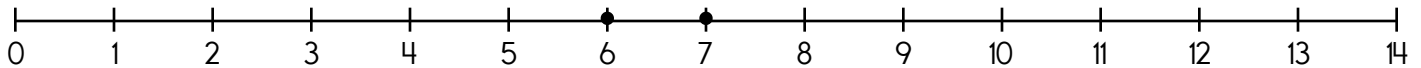
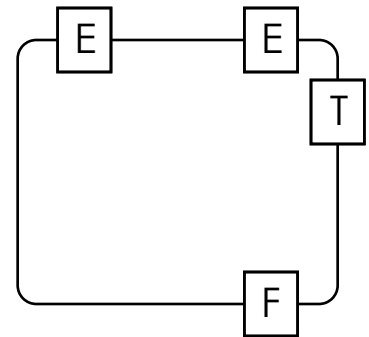
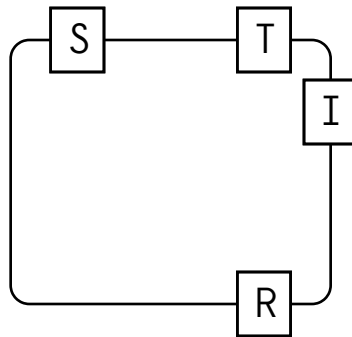
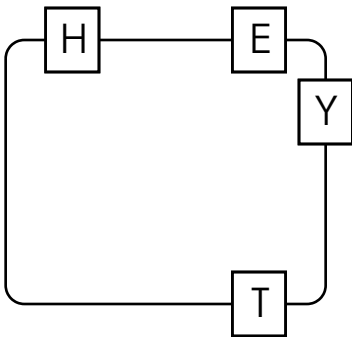
Name: _____

Babe Ruth hit 2 homeruns on Monday. He hit 4 homeruns on Tuesday. How many more did he hit on Tuesday?

David loved to laugh. He liked to make his friends laugh. He had a book of jokes. There were 14 jokes about horses, 10 about cats, 7 about dogs, and 27 about other animals. How many jokes were there in all?

Ms. Robinson made two chicken sandwiches. She cut each sandwich into thirds. How many pieces did she have?

Write the hidden word. Start at one letter and then move either left or right. Continue in same direction.



$6 + \underline{\quad} = 7$

There are 3 black crayons and 7 red crayons. How many crayons are there?

- 9 10 12

Count by 5s.

2 12

Write the missing sign.

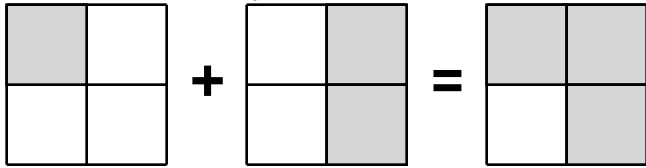
$12 \underline{\quad} 2 = 10$

$14 - 5$

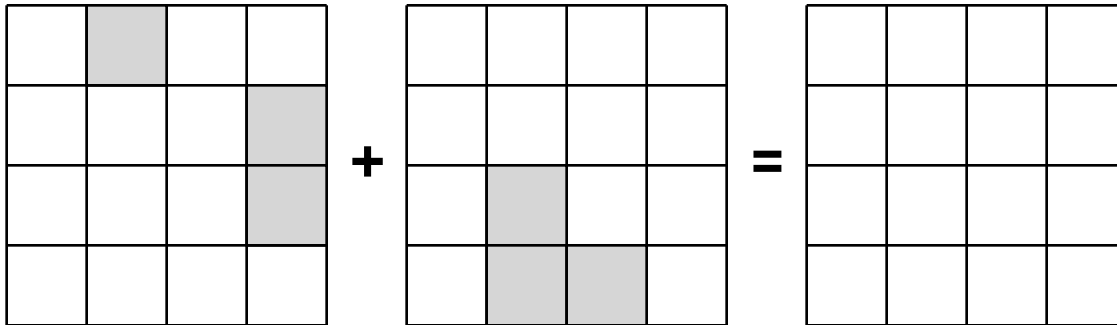
three

Name: _____

Here is an example of shade box addition:



Complete this shade box addition.



3 + 3 = _____

- kowl
- call
- kewl
- kawl

eight

nine

Color in the boxes.

5 or 8 = orange, 4 or 2 = red,
1 or 3 = purple, 0 or 6 = black

What is the hidden number? _____

3	5	0	2	1	2	6	1
2	2	0	5	1	8	0	2
5	1	6	2	2	2	0	5
3	2	0	0	0	6	6	0
5	4	8	2	3	8	0	1
2	2	1	5	2	3	0	5
3	5	1	2	3	5	0	2

one

Name: _____

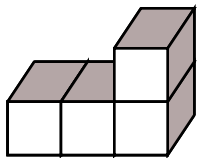
Free choice writing:

Count by 4s.

24 _____ 32

$2 + 5 = \square$	$8 + 5 = \square$	$8 + 3 = \square$	$4 + 7 = \square$
-------------------	-------------------	-------------------	-------------------

How many blocks?



Peter had 6 pet turtles. He gave 2 turtles to Nathan. How many turtles does Peter have left?

$10 - 5$

What is the difference for $3 - 3$?

- 5 0 3 4

nineteen

- 12 13 19

3 tens and 7 ones

- 7 37 3

Name: _____

Draw the missing spots in the patterns.

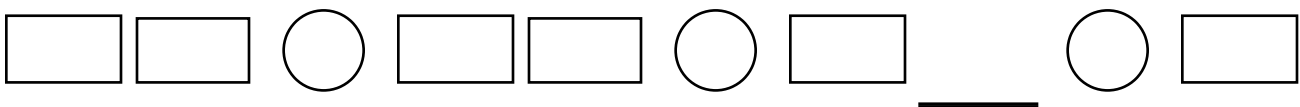
Show the pattern by putting the same letter under each shape or number.

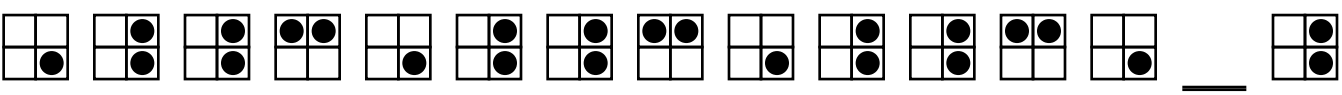


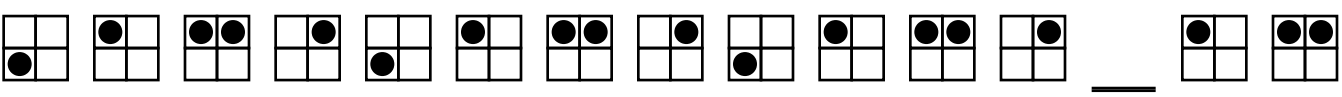
 A B C D A B C D A B C D A











Name: _____

Draw the missing spots in the patterns.

☆ 5 ☆ 8 ☆ 3 ☆ 5 ☆ 8 ☆ 3 ☆ 5 ☆ 8 ☆ 3 ☆ 5 ☆ 8 _ ☆ 5

☆ 6 ☆ 2 ☆ 1 ☆ 6 ☆ 2 ☆ 1 ☆ 6 ☆ 2 ☆ 1 ☆ 6 _ ☆ 1 ☆ 6

□ □ □ □ □ □ □ □ □ _

Draw your own patterns.

☆ 6 ☆ 8 ☆ 9 ☆ 8 ☆ 6 ☆ 8 ☆ 9 ☆ 8 ☆ 6 ☆ 8 ☆ 9 ☆ 8 ☆ 6

ABCB pattern

□ □ □ □ □ □ □ □ □ □ □ □ □ □

Draw an ABBC pattern.

□ □ □ □ □ □ □ □ □ □ □ □ □ □

Draw an ABC pattern.

□ □ □ □ □ □ □ □ □ □ □ □ □ □

Draw an ABCD pattern.

□ □ □ □ □ □ □ □ □ □ □ □ □ □

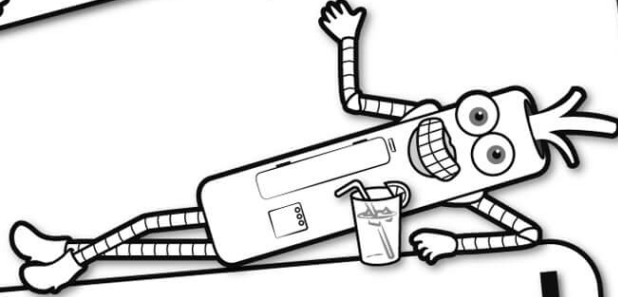
Draw an ABA pattern.

□ □ □ □ □ □ □ □ □ □ □ □ □ □

I drew an _____ pattern.



It's NO PREP at edHelper.

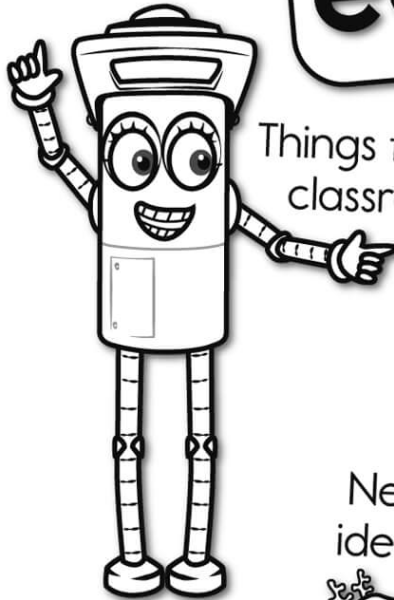


edHelper.com!

More history!



Things for the classroom!



only \$19.99 per year

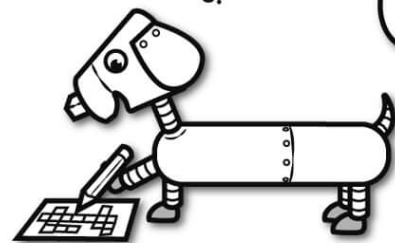
More science!



New ideas!



More puzzles!



Take The Boring Out Of Homework!

Easy to
print!

edHelper

Weekly K-6 "Take It Home" Books

Kids want choices
for homework.
"Take It Home" books
have fun graphics and
challenging puzzles and
problems for older kids.

"Dr. Programmer"
challenges kids..

Homework
will never be
the same!

edHelper.com

